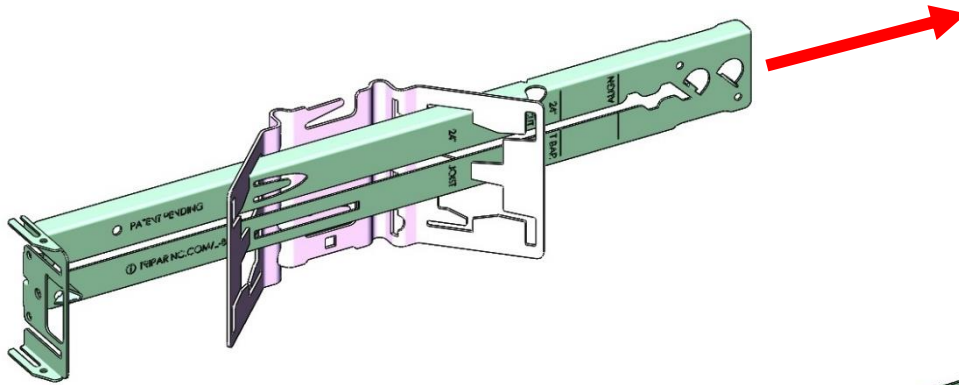
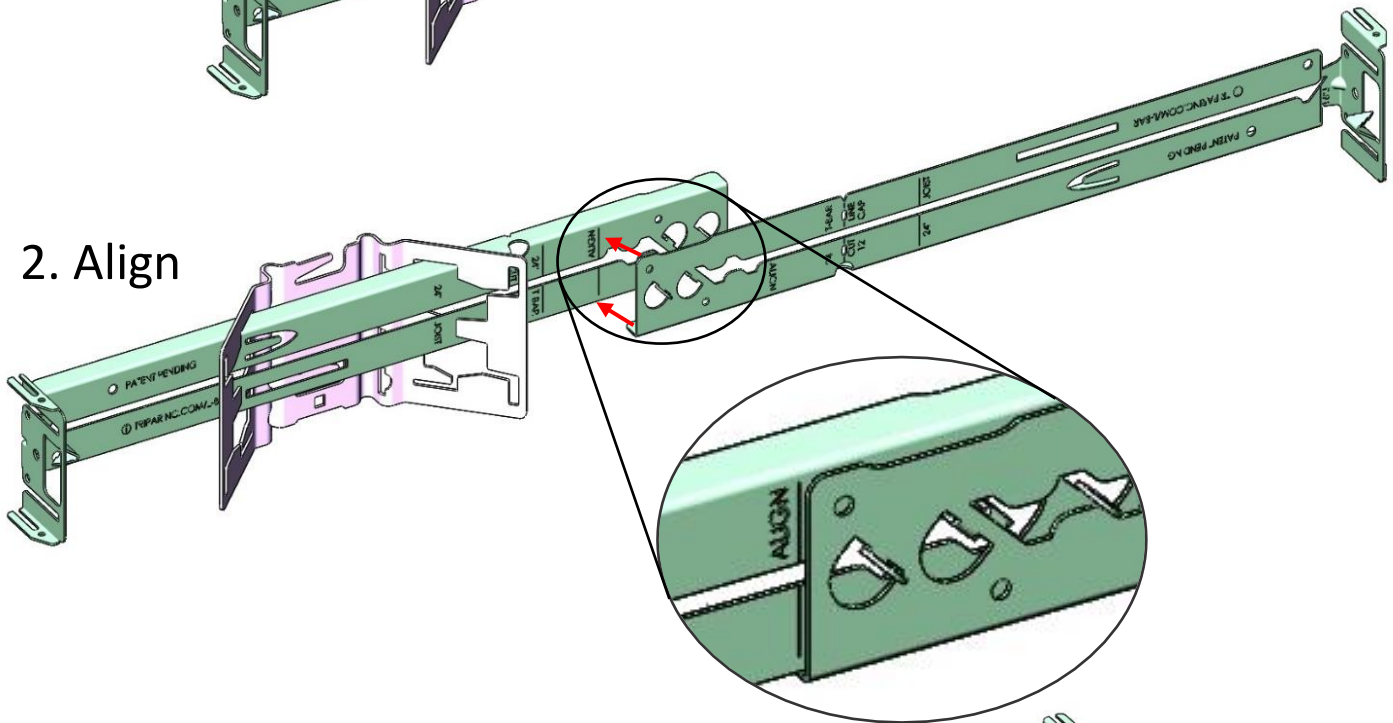


Tripar's L-Bars™ Quick Start Instructions

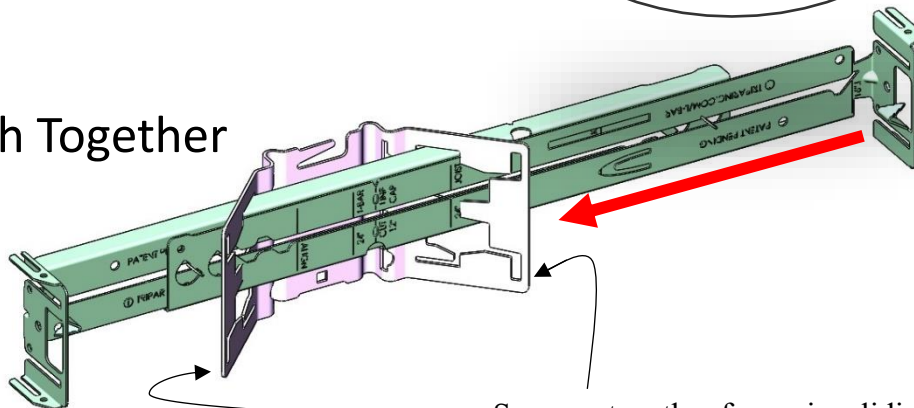
1. Slide



2. Align



3. Push Together



Squeeze together for easier sliding, release to lock

Complete Installation videos available at www.TriparInc.com/L-Bar

Detailed features overview PDF available at www.TriparInc.com/L-Bar-Feature